



ingo-man[®] plus IMP Touchless

PHARDT
hygiene

ingo-man® plus

IMP Touchless

You want a flexible dispenser solution, that combines the highest functionality, reliability and longevity?

You need a dispenser that merges proven quality with the hygienic advantages of a touchless system?

Then the IMP Touchless is your dispenser system of choice.

- Pump technology proven in continuous use
- selection of materials according to hygienic viewpoints
- touchless operation optimizes hand hygiene
- simple pump removal from the front
- Battery level indicator
- suitable for 500-ml- or 1000-ml-bottles
- lockable cover available as an accessory
- standardly energy supply through batteries, optional with mains supply available
- long battery life (up to 2 years) is possible through low energy consumption



Model	Material	Part No.
IMP T A Touchless	Aluminium, for 1000 ml	1415524
IMP T E Touchless	Stainless steel, for 1000 ml	1417071
IMP E A Touchless	Aluminium, for 500 ml	1415523

Body

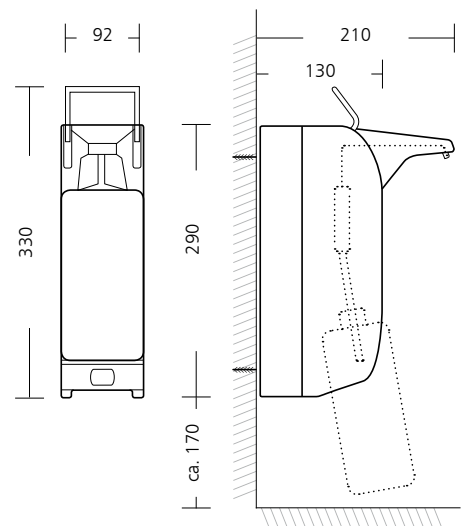
- high hygienic standard through anodized aluminium surfaces
- stress resistant construction optimized for continuous use
- exchangeable face shield for individual product labelling

Pump and dosage

- IMP Touchless stainless steel pump, angled stainless steel suction tube, autoclavable
- Dosage amount: approx. 1.5 ml/push, reducible to approx. 0.75 ml/push

Filling

- free choice of filling solutions increases economy
- for soaps, disinfection solutions, lotions, etc.



Autoclavable pumps

Easy exchange through front removal.

High hygienic standard

The body of the **ingo-man® plus Touchless** is made of anodized aluminium. This high-grade material effectively stops the growth of bacteria through its bacteriostatic properties.

Quality Guarantee

The hologram confirms the authenticity and quality of an Original **OPHARDT hygiene-**brand product.

Flexible sealing cap

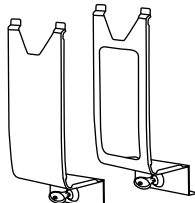
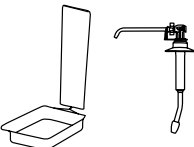

allows the use of different bottles and ensures secure hold of the bottle within the dispenser.

New!

Energy supply

use with batteries or connect to the electric grid. Long battery life (up to 2 years) is possible through low energy consumption.

Accessories for **ingo-man® plus Touchless**

Model	Part description	Part No.
	VF IMP Touchless A Locking plate, anodized aluminium, with window, incl. lock and key	2400076
	V IMP Touchless A Locking plate, anodized aluminium, without window, incl. lock and key	2400145
	VF IMP Touchless E Locking plate, stainless steel, with window, incl. lock and key	1416375
	V IMP Touchless E Locking plate, stainless steel, without window, incl. lock and key	1416374
	SH 4 IMP Touchless Catch tray with removable plastic tray	1416600
	Pumpe IMP T Touchless Pump for IMP Touchless, 1000 ml	1416896
	Pumpe IMP E Touchless Pump for IMP Touchless, 500 ml	1417696
	ingo-man® plus Table stand for tip-proof mounting on tables and work surfaces	
	Table stand for touchless dispenser IMP Touchless, 1000 ml	1417504

ingo-man® classic

ingo-man®

OPHARDT

hygiene

SanTRAL®

SanTRAL *Wave*™

SanTRAL® classic

OPHARDT.COM

OPHARDT
hygiene

Ophardt Hygiene-Technik GmbH + Co. KG • Lindenau 27 • 47661 Issum • Germany

Phone +49 28 35 18-0 • Fax +49 28 35 18-77

Email info@ophardt.com • www.ophardt.com